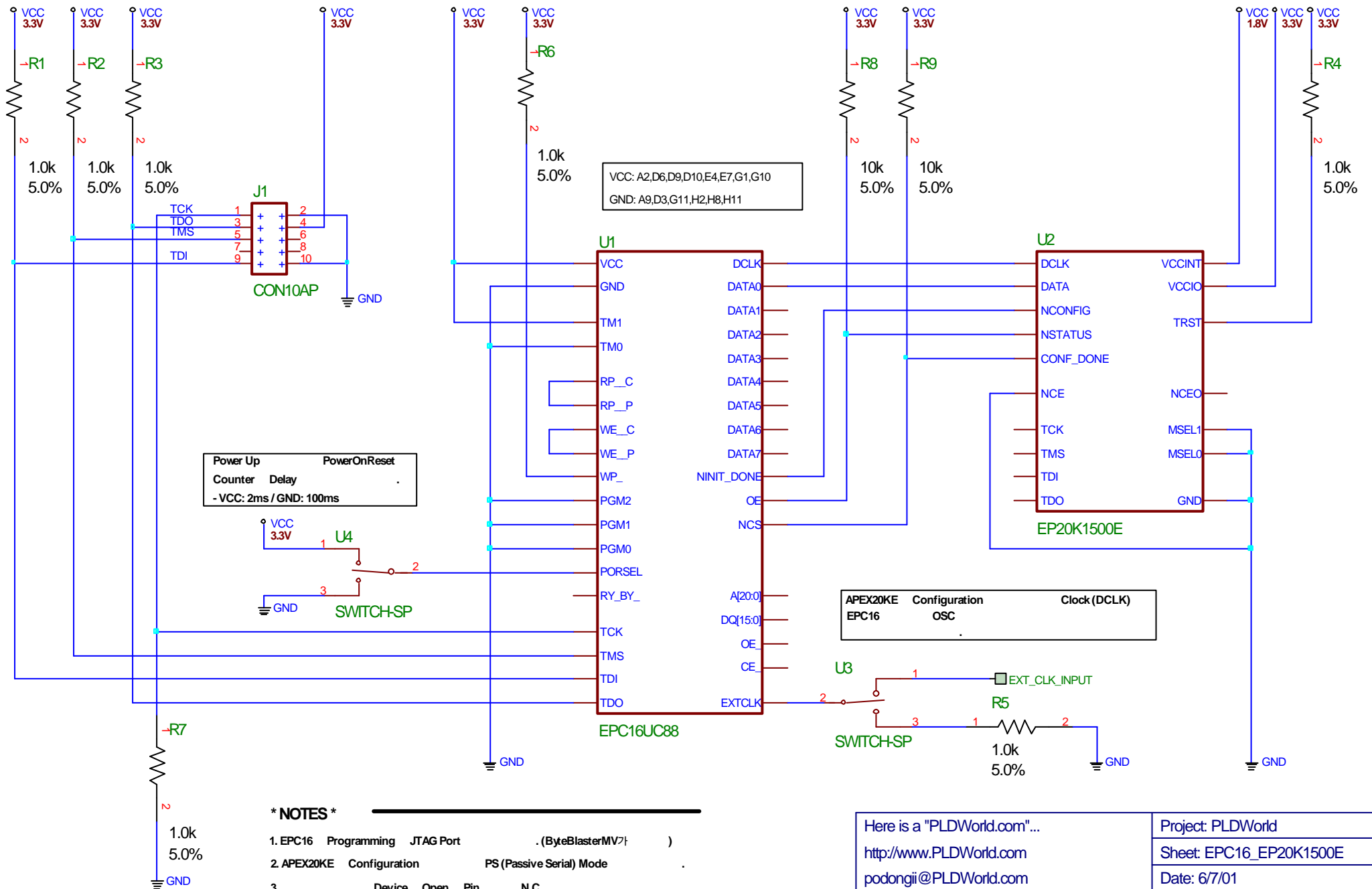


## Example Circuit with the EPC16 and APEX20KE



Here is a "PLDWorld.com"..." <a href="http://www.PLDWorld.com">http://www.PLDWorld.com</a> <a href="mailto:podongji@PLDWorld.com">podongji@PLDWorld.com</a>	Project: PLDWorld Sheet: EPC16_EP20K1500E Date: 6/7/01
Date Last Modified: 6/8/01	