

Actel® Tools

Netlist Viewer User's Guide

R1-2003



Windows® & UNIX® Environments

Actel® Corporation, Sunnyvale, CA 94086

© 2002 Actel Corporation. All rights reserved.

Part Number: 5029135-1

Release: December 2002

No part of this document may be copied or reproduced in any form or by any means without prior written consent of Actel.

Actel makes no warranties with respect to this documentation and disclaims any implied warranties of merchantability or fitness for a particular purpose. Information in this document is subject to change without notice. Actel assumes no responsibility for any errors that may appear in this document.

This document contains confidential proprietary information that is not to be disclosed to any unauthorized person without prior written consent of Actel Corporation.

Trademarks

Actel and the Actel logotype are registered trademarks of Actel Corporation.

Adobe and Acrobat Reader are registered trademarks of Adobe Systems, Inc.

Liberty is a licensed trademark of Synopsys Inc. This product uses SDC, a Proprietary format of Synopsys Inc.

Libero is a trademark of Actel Corporation.

Mentor Graphics, Viewlogic, ViewDraw, MOTIVE, and ModelSim are registered trademarks of Mentor Graphics, Inc.

Synplify and Synplicity are registered trademarks of Synplicity, Inc.

Verilog is a registered trademark of Open Verilog International.

WaveFormer Lite and SynaptiCAD are trademarks of SynaptiCAD, Inc.

Windows is a registered trademark and Windows NT is a trademark of Microsoft Corporation in the U.S. and other countries.

All other products or brand names mentioned are trademarks or registered trademarks of their respective holders.

Table of Contents

1	Introduction	vii
	Document Organization	vii
	Document Assumptions	vii
	Actel Manuals	viii
	Online Help	x
2	Getting Started with Netlist Viewer	11
	Starting Netlist Viewer	11
	Netlist Viewer	12
	Navigation	15
	Toolbar	16
	Menu Commands	17
3	Using Netlist Viewer	19
	Viewing Your Netlist	19
	Navigating Through Your Netlist	20
	Using the Design Hierarchy View	23
	Highlighting Objects	24
	Searching	27
	Using Netlist Viewer with Timer	28
	Using Netlist Viewer with ChipEdit	33
4	Netlist Viewer Examples	37
	Debugging Simulation Results	37
	Identifying Paths	38
	Viewing Buffers	44
	Actel U.S. Toll-Free Line	47
	Customer Service	47
	Customer Applications Center	48
	Guru Automated Technical Support	48
	Web Site	48
	FTP Site	48
	Contacting the Customer Applications Center	49

Table of Contents

Worldwide Sales Offices50

List of Figures

Netlist Viewer Button	11
Netlist Viewer	12
The Netlist Viewer With All Windows Open	13
Hierarchy View Window	14
Search View Window	15
Netlist Viewer Opens	19
Pushing One Level Deeper into the Design	21
Symbol for Continuing Net	22
Symbol for Previous Net	22
Symbol for a Continuing Net	23
Symbol for Previous Net	23
Hierarchy View Window	24
Highlighted Object	25
Highlighting Groups	26
Searching	27
Netlist Viewer	29
Timer Starts	30
Paths Tab	31
Expanded Paths	32
Instance in Timer is Highlighted in Netlist Viewer	33
Netlist Viewer Starts	34
ChipEdit Window	35
Item is Selected in Both ChipEdit and Netlist Viewer	36
Investigating Signal Output	37
Flip Flop Feedback	38
Starting Netlist Viewer	39
Starting Timer	40
Timer's Paths Tab	41
Expanding the Path	42
Combinational Gates in Timer's Expanded Paths Window	43
Selected Macro is Located and Selected in the Netlist Viewer	44
Netlist Viewer Starts	45

List of Figures

Inserted Buffers46

Introduction

The Netlist Viewer displays your netlist in a hierarchical manner, providing you with a logical view of your design.

The Netlist Viewer can be used alone to explore each level of the hierarchy and to trace signals. Used with PinEdit, ChipEdit, or Timer, the Netlist Viewer assists you in meeting area and timing goals by helping you with critical path identification.

Document Organization

This guide provides detailed cross-platform information about Netlist Viewer. Use it as a reference in your everyday work.

Step-by-step instructions for using Netlist Viewer on Windows and UNIX workstations are in this guide. Any platform differences in procedures and commands are noted in the text.

The Netlist Viewer User's Guide contains the following chapters:

Chapter 1 - Getting Started with Netlist Viewer contains details about Netlist Viewer's interface, toolbars, and menu commands.

Chapter 2 - Using Netlist Viewer contains instructions on how to use Netlist Viewer alone, or with other User Tools to locate paths.

Chapter 3 - Examples illustrates common uses for the Netlist Viewer.

Appendix A - Product Support provides information about contacting Actel for customer and technical support.

Document Assumptions

This document assumes you have a working knowledge of your operating system and its conventions, including standard menus and commands, how to use a mouse, and how to open, save, and close files. For help with any of these techniques, see the documentation that came with your computer.

This document also assumes you are familiar with the FPGA architectures and have a working knowledge of the Designer software.

Actel Manuals

Designer and Libero include printed and online manuals. The online manuals are in PDF format and available from Libero and Designer's Start Menus and on the CD-ROM. From the Start menu choose:

- Programs > Libero 2.2 > Libero 2.2 Documentation.
- Programs > Designer Series > R1-2002 Documentation

Also, the online manuals are in PDF format on the CD-ROM in the “/manuals” directory. These manuals are also installed onto your system when you install the Designer software. To view the online manuals, you must install Adobe® Acrobat Reader® from the CD-ROM.

The Designer Series includes the following manuals, which provide additional information on designing Actel FPGAs:

Libero User's Guide. This manual contains information about using Libero, Actel's Integrated Design Environment. Details about using ViewDraw for Actel, WaveFormer Lite, Synplicity, and ModelSim are provided.

Getting Started User's Guide. This manual contains information for using the Designer Series Development System software to create designs for, and program, Actel devices.

Designer User's Guide. This manual provides an introduction to the Designer series software as well as an explanation of its tools and features.

PinEdit User's Guide. This guide provides a detailed description of the PinEdit tool in Designer. It includes cross-platform explanations of all the PinEdit features.

ChipEdit User's Guide. This guide provides a detailed description of the ChipEdit tool in Designer. It includes a detailed explanation of the ChipEdit functionality.

Timer User's Guide. This guide provides a detailed description of the Timer tool in Designer. It includes a detailed explanation of the Timer functionality.

SmartPower User's Guide. This guide provides a detailed description of using the SmartPower tool to perform power analysis.

Netlist Viewer User's Guide. This guide provides a detailed description of the Netlist Viewer. Information on using the Netlist Viewer with Timer and ChipEdit to debug your netlist is provided.

A Guide to ACTgen Macros. This Guide provides descriptions of macros that can be generated using the Actel ACTgen Macro Builder software.

Actel HDL Coding Style Guide. This guide provides preferred coding styles for the Actel architecture and information about optimizing your HDL code for Actel devices.

Silicon Expert User's Guide. This guide contains information to assist designers in the use of Actel's Silicon Expert tool.

Cadence[®] Interface Guide. This guide contains information to assist designers in the design of Actel devices using Cadence CAE software and the Designer Series software.

Mentor Graphics[®] Interface Guide. This guide contains information to assist designers in the design of Actel devices using Mentor Graphics CAE software and the Designer Series software.

Synopsys[®] Synthesis Methodology Guide. This guide contains preferred HDL coding styles and information to assist designers in the design of Actel devices using Synopsys CAE software and the Designer Series software.

Synplicity Synthesis Methodology Guide. This guide contains information about using the Synplicity Synthesis tools with Actel Designer Series software to create designs for Actel devices.

Innoveda[®] eProduct Designer Interface Guide (Windows). This guide contains information to assist designers in the design of Actel devices using eProduct Designer CAE software and the Designer Series software.

VHDL Vital Simulation Guide. This guide contains information to assist designers in simulating Actel designs using a Vital compliant VHDL simulator.

Verilog Simulation Guide. This guide contains information to assist designers in simulating Actel designs using a Verilog simulator.

Activator and APS Programming System

Installation and User's Guide. This guide contains information about how to program and debug Actel devices, including information about using the Silicon Explorer diagnostic tool for system verification.

Silicon Sculptor User's Guide. This guide contains information about how to program Actel devices using the Silicon Sculptor software and device programmer.

Flash Pro User's Guide. This guide contains information about how to program Actel ProASIC and ProASIC ^{PLUS} devices using the Flash Pro software and device programmer.

Silicon Explorer II. This guide contains information about connecting the Silicon Explorer diagnostic tool and using it to perform system verification.

Macro Library Guide. This guide provides descriptions of Actel library elements for Actel device families. Symbols, truth tables, and module count are included for all macros.

WaveFormer Lite Guide. This guide contains information on using WaveFormer Lite to generate VHDL and Verilog stimulus based test benches for the Actel design software.

ViewDraw User's Guide. This guide contains information about using ViewDraw.

ModelSim Bookshelf. This bookshelf contains the ModelSim User's Guide, Command Reference, and Tutorial.

Online Help

The Designer Series software comes with online help. Online help specific to each software tool is available in Libero, Designer, ChipEdit, PinEdit, Libero, ACTgen, Silicon Expert, Silicon Explorer II, Silicon Sculptor, and APSW.

Getting Started with Netlist Viewer

This chapter contains details about Netlist Viewer's interface and commands. For information on using Netlist Viewer with PinEdit, ChipEdit, or Timer, see

Starting Netlist Viewer

Netlist Viewer is available from Designer's main window. It can only be started after your design has been compiled.

To start Netlist Viewer from Designer, click *Netlist Viewer*, as shown in Figure 1-1. If you have not compiled your design, Designer prompts you to go through the compilation process.



Figure 1-1. Netlist Viewer Button

The Netlist Viewer reads in your netlist design and generates a clearly laid out schematic view, as shown in Figure 1-2.

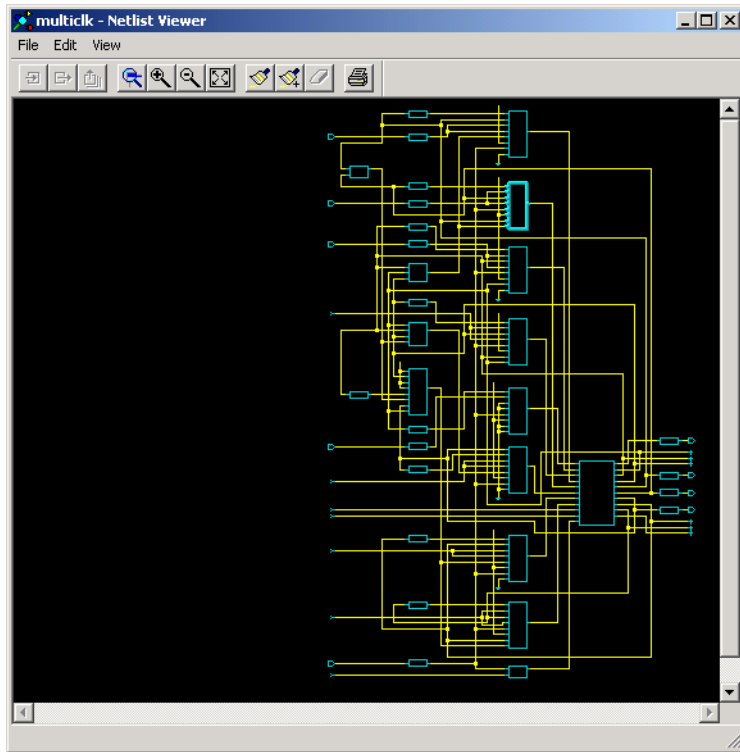


Figure 1-2. Netlist Viewer

Netlist Viewer

The Netlist Viewer, as shown in Figure 1-3, consists of three windows, the Schematic View, Hierarchical View, and Search View Windows. The Netlist

Viewer also contains a menu bar, toolbar, and status bar. Each of these items is described below.

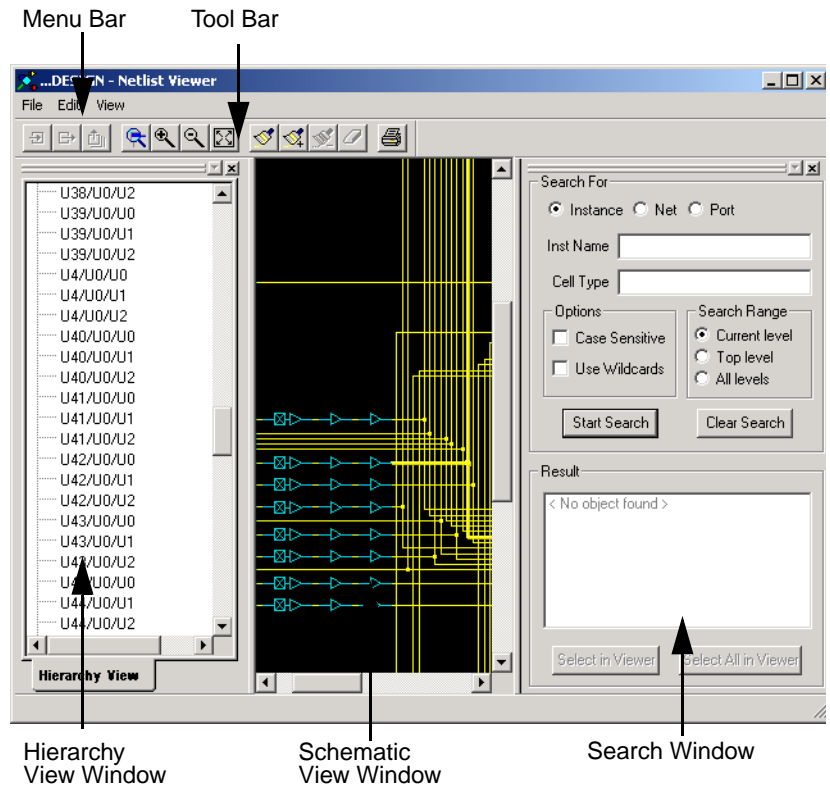


Figure 1-3. The Netlist Viewer With All Windows Open

Schematic View

The Schematic View Window displays a graphical representation of the netlist.

Design Hierarchy View

The Design Hierarchy View Window provides easy navigation through the design hierarchy and gives a compact hierarchy overview.

To view the Design Hierarchy View Window:

1. **From the View menu, click *Hierarchy*.** The hierarchy window opens. This window is sizable and dockable.

Any item selected in one window is selected in all, as shown in Figure 1-4.

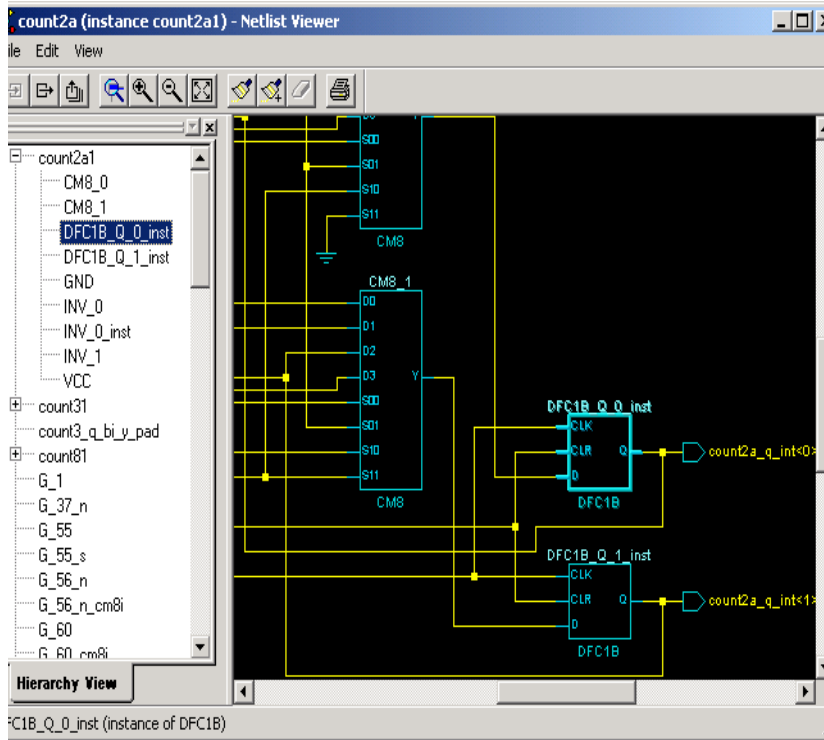


Figure 1-4. Hierarchy View Window

Search View

Use the Search window to search for instances, nets, and ports. For information on using the search view, “Search View” on page 14.

To open the Search View Window:

1. **From the View menu, click *Search Tool*.** The Search View Window opens to the right of the Schematic View window, as shown in Figure 1-5.

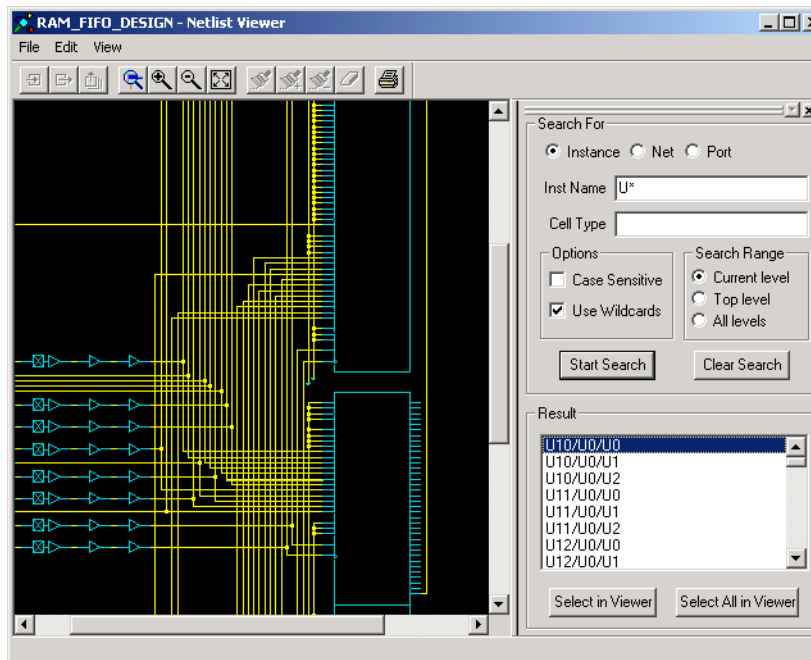


Figure 1-5. Search View Window

The Search View Window is sizable and dockable.

Navigation

You can navigate in the logical view of the design in two directions:

Vertical

You can navigate vertically if you have a hierarchical design.

Use the Push and Pop commands, from the Edit menu and the toolbar, to move through the hierarchical design. The Push command allows you to go

one level deeper in the design hierarchy. Pop is the reverse action, your view rises up one level.

Right-click anywhere in the Netlist Viewer to open a right-click menu, which provides shortcuts to Push and Pop functions.

The menu and toolbar also include a Top command that brings you back to the top level of the design hierarchy.

All three commands can be accessed through keyboard shortcuts:

- CTRL-P for Push
- CTRL-O for Pop
- CTRL-T for Top

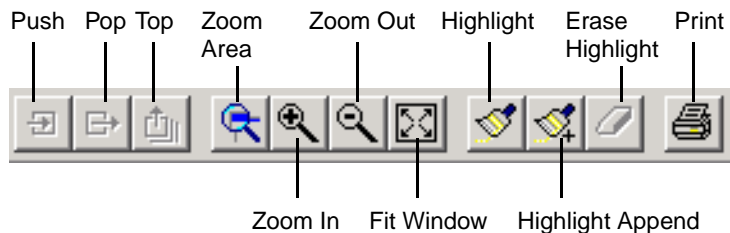
Horizontal

Large designs might not fit in the window. When this occurs, Netlist Viewer applies page splitting.

Navigate through pages at a given level by following a net. Nets that continue on another page are terminated by special symbols. To follow the net, double-click on the symbol. For more information, refer to [“Navigating Through Your Netlist”](#) on page 20.

Toolbar

Netlist Viewer’s toolbar contains commonly used commands.



Menu Commands

File Menu

Print: Prints what is currently displayed in the Netlist Viewer.

Print Preview: Prints what is currently displayed in the Netlist Viewer to a preview window.

Print Setup: Sets up your printing options.

Close: Closes the Netlist Viewer.

Edit Menu

Push: Displays the next lower level in the design hierarchy.

Pop: Displays the next higher level in the design hierarchy.

Top: Displays the top level of the design.

Highlight: Marks the currently selected object by turning it red.

Highlight Append: Highlights the currently selected object, by turning it red, and adds it to a group, which includes that last highlighted object.

Unhighlight: Unmarks the selected object only, returning it to yellow or blue.

Clear Highlight: Clears all marked objects, returning them to yellow or blue.

View Menu

Zoom Window: Allows you to drag out an area to enlarge.

Zoom Fit: Fits design in Netlist Viewer.

Zoom In: Magnifies the view by a factor 2 (x2).

Zoom Out: Reduces the view by a factor 2 (x.5).

Redraw: Redraws the screen.

Go to First Page: Takes you to the first page in the design.

Go to Previous Page: Displays the previous page in the Schematic View window.

Go to Next Page: Displays the next page in the Schematic View window.

Go to Last Page: Displays the last page in the Schematic View window.

Pre-optimized Netlist (Axcelerator Family): Displays the pre-optimized netlist in the Schematic View window.

Optimized Netlist (Axcelerator Family): Displays the optimized flattened netlist in the Schematic View window. This is the default view.

Toolbar: Hides or displays the toolbar.

Search Tool: Hides or displays the Search window.

Hierarchy: Hides or displays the Hierarchy window.

Using Netlist Viewer

The Netlist Viewer can be used alone to explore each level of the hierarchy and to trace signals. Used with PinEdit, ChipEdit, or Timer, the Netlist Viewer assists you in meeting area and timing goals by helping you with critical path identification.

Viewing Your Netlist

The Schematic View Window displays your netlist in a graphical manner, assisting you in debugging your netlist.

To view your netlist using Netlist Viewer:

- 1. Start Netlist Viewer.** Click *Netlist Viewer* in the Design Flow window. The Netlist Viewer starts and displays your netlist as shown in Figure 2-1.

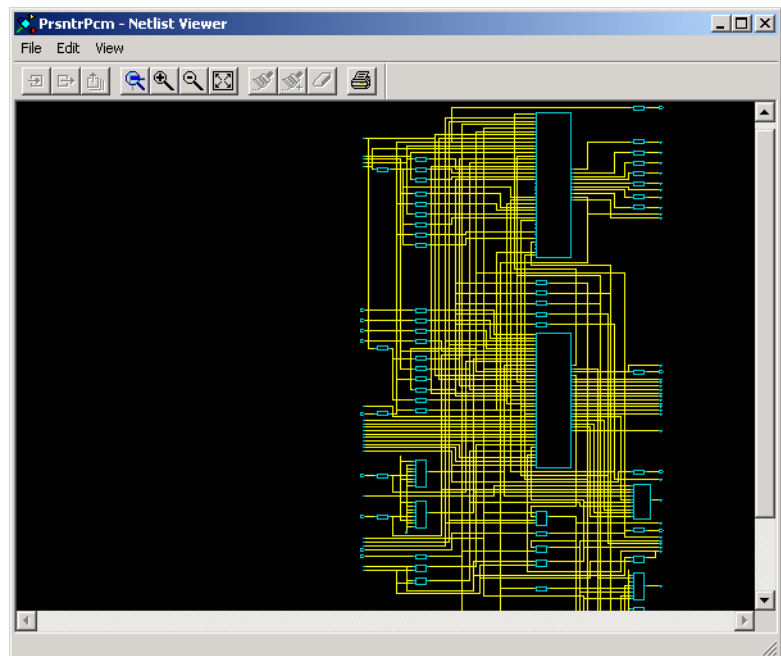


Figure 2-1. Netlist Viewer Opens

Axcelerator Designs

For Axcelerator designs only, choose to view the optimized flattened netlist or the pre-optimized hierarchical netlist.

Both have advantages and weaknesses:

- The optimized flattened netlist is a non-hierarchical view. Use the optimized flattened netlist when cross-probing with other User Tools, such as PinEdit or Timer.
- The pre-optimized netlist is the original netlist, as passed to the Designer software. The hierarchical structure is useful for navigating. When using the pre-optimized netlist for cross-probing, some items might not appear.

To switch between the different views, from the View menu, click *Pre-Optimized Netlist* or *Optimized Netlist*.

Navigating Through Your Netlist

You can navigate in the logical view of the design vertically and horizontally. This section describes both.

Vertical Navigation

Vertical navigation is possible for all families and for the Axcelerator family, if you use the pre-optimized netlist. Navigate vertically through your hierarchical design by using the push, pop, and top commands. These commands are available from the Edit menu, the right-click menu, and the toolbar. They can also be accessed through keyboard shortcuts: CTRL-P for Push, CTRL-O for Pop and CTRL-T for Top.

To go one level deeper in a design:

- 1. Select an instance.**

- From the Edit menu, click **Push**. Or, from the right-click menu select Push instance <name>, as shown in Figure 2-2.

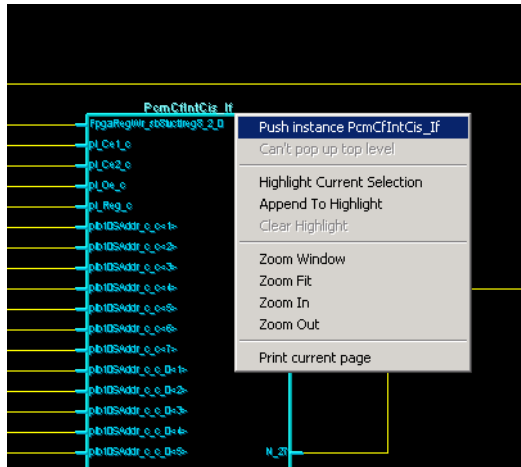


Figure 2-2. Pushing One Level Deeper into the Design

To rise one level higher in a design:

- From the Edit menu, click **Pop**.

To rise to the top level:

- From the Edit menu, click **Top**.

Horizontal Navigation

When large designs do not fit in the Schematic View window, Netlist Viewer applies page splitting.

To navigate to the next page in a design do one of the following:

- From the View Menu, click Go to Next Page
- Click the Next Page button in the toolbar

To navigate to the previous page:

- From the View Menu, click *Go to Previous Page*
- Click the *Previous Page* button in the toolbar

To navigate to the first page:

- From the View menu, click *Go to First Page*
- Click the *First Page* toolbar button

To navigate to the last page:

- From the View menu, click *Go to Last Page*
- Click the *Last Page* toolbar button

Following Nets

Following a net might take you to the next page in a schematic, or several pages away.

To follow a net:

- In the Schematic View window, click a net that continues before or after the page being viewed. Nets that continue are terminated by the symbol shown in Figure 2-3. Nets that continue on a previous page are terminated by the symbol shown in Figure 2-4. Click the symbol to follow the net.



Figure 2-3. Symbol for Continuing Net



Figure 2-4. Symbol for Previous Net

In the example below, Figure 2-5, clicking the symbol next to `slck3m57_0` takes you to the page where the net continues.



Figure 2-5. Symbol for a Continuing Net

In the example below, Figure 2-6, clicking the symbol next to `slck3m57_0` takes you to the page where the net came from.

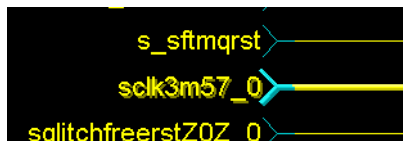


Figure 2-6. Symbol for Previous Net

Using the Design Hierarchy View

The Design Hierarchy View Window provides easy navigation through the design hierarchy and gives a compact hierarchy overview. When an instance is selected in the Design Hierarchy View window it is highlighted in the Schematic View window.

To view the design Hierarchy View window:

- 1. From the View menu, click *Hierarchy*.** The hierarchy window opens.
- 2. Select an instance name in the hierarchy.** The instance is located and highlighted in the Schematic Viewer, as shown in Figure 2-7. All parents as well are selected. Since any item selected in one window is selected in all,

selecting an instance in the Schematic Viewer locates and selects the instance in the Hierarchy View.

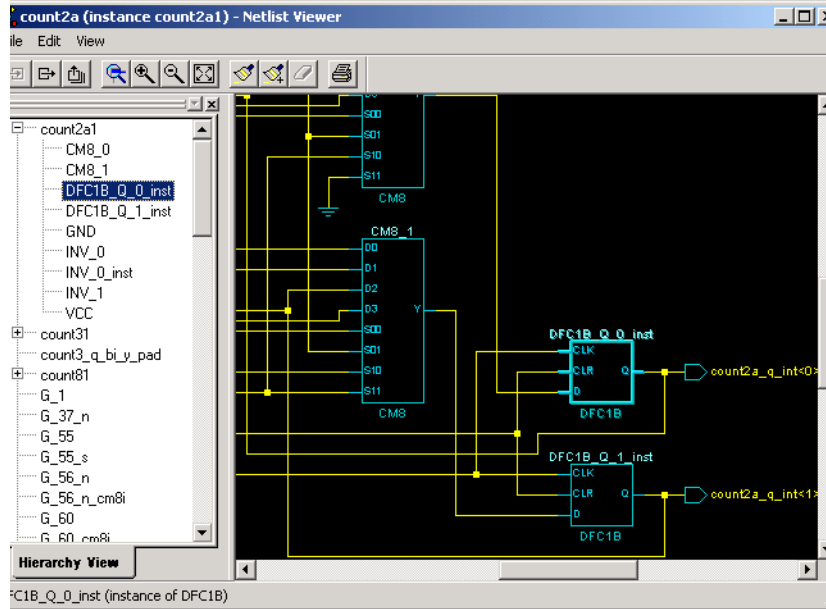


Figure 2-7. Hierarchy View Window

Highlighting Objects

Highlight objects or groups of objects for easy reference. Highlighted objects are designated by the color red.

To highlight an object:

- 1. Select the object in the Netlist Viewer.**

- From the Edit menu, click **Highlight** or click the **Highlight** button in the toolbar. The object changes from yellow or blue, to red, as shown in Figure 2-8.

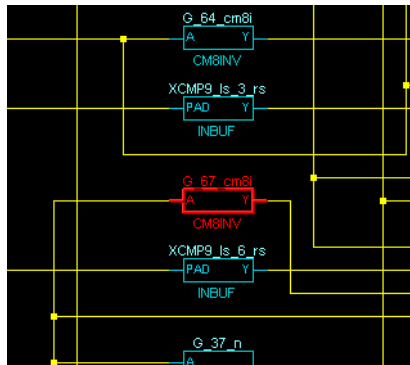


Figure 2-8. Highlighted Object

To highlight a group of objects:

- Select the object in the Netlist Viewer.
- From the Edit menu, click **Highlight** or click the **Highlight** button in the toolbar. The object changes from blue or yellow to red.
- Select another object to add to the group. Select multiple objects by holding down the SHIFT key while selecting.
- From the Edit menu, click **Highlight Append** or click the **Highlight Append** toolbar button. Continue selecting and adding

objects you want marked as a group. This can be useful for tracing a net, as shown in Figure 2-9.

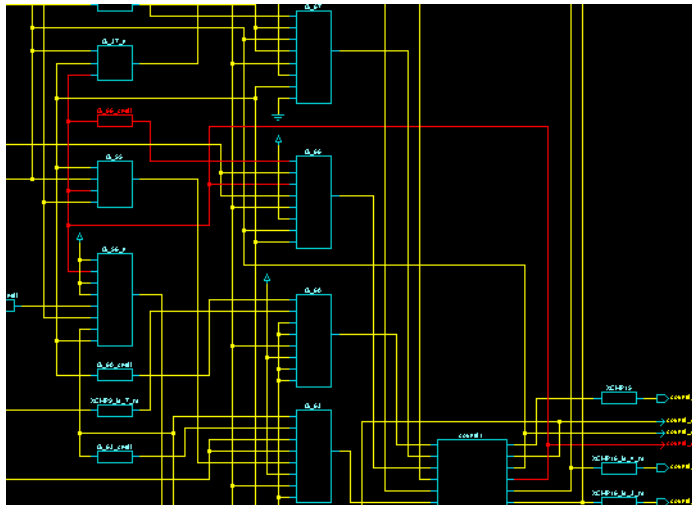


Figure 2-9. Highlighting Groups

To un-highlight an object or group of objects:

- 1. Select the object, or the group of objects.** To select a group, hold the Shift key while selecting objects with your mouse.
- 2. From Edit menu, click *Un-highlight*, or click the Un-highlight toolbar button.**

To un-highlight all objects:

- 1. From the Edit menu, click *Clear Highlight*, or click the Clear Highlight toolbar button.** All marked objects in the current level are unmarked.

Searching

Searching for objects can shorten your debug time. Use the Search window to search for instances, nets, and ports.

To search for an instance, net or port:

1. **From the View menu, click *Search Tool*.** The Search Window opens, as shown in Figure 2-10.

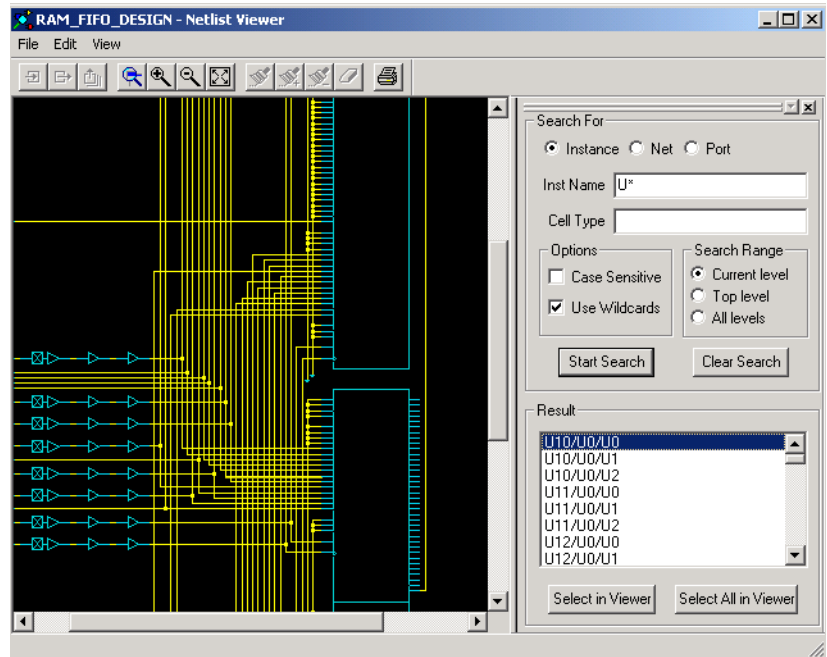


Figure 2-10. Searching

2. **Select Instance, Net, or Port in the Search for area.**

Type the text you are looking for in the Name area (Inst Name, Port Name, or Net Name depending upon which radio button is selected) and/or Cell Type fields. Cell Type is only available for instance searches. When searching for instances, Inst Name or Cell Type can be blank, but not both.

These fields accept regular expressions. Wildcards in regular expression include:

- `?` matches any single character
- `*` matches any string
- `[]` matches any single character among those listed between brackets
- `[A-Z]` matches any single character in range A-Z
- `[Z-A]` matches any single character in range A-Z
- `/` is the level-bordering symbol. "A/B" designates "object B, which is part of instance A". Note that the level-bordering symbol cannot be put between brackets in a regular expression.

- 3. Select Search Options in the Options area.** Click the Wildcards radio button if you want to search using wildcards. Click Case Sensitive if you want the search to only return items with the exact characters specified.
- 4. Define Search Range.** In the Search Range area, select your search parameters. Select top level, current level, or all levels.
- 5. Click Start Search.** The located objects, if any, appear in the Result window.
- 6. Locate objects in the Schematic View.** Selecting one or several objects in the Result window and clicking *Select In Viewer* selects the objects in the Schematic View. Simply clicking *Select All In Viewer* selects all found objects in the Schematic View.

Using Netlist Viewer with Timer

Use the Netlist Viewer with Timer to view and trace entire paths. For more detailed information about Timer, please refer to the *Timer User's Guide*.

Tracing Timing Paths

To trace paths using the Netlist Viewer and Timer:

1. **Start Netlist Viewer.** Click on *Netlist Viewer* in Designer's Design Flow window.



Note: Your design must be compiled in order to start Netlist Viewer. If it isn't compiled, Designer prompts you to do so.

Netlist Viewer starts, displaying your netlist as shown in Figure 2-11.

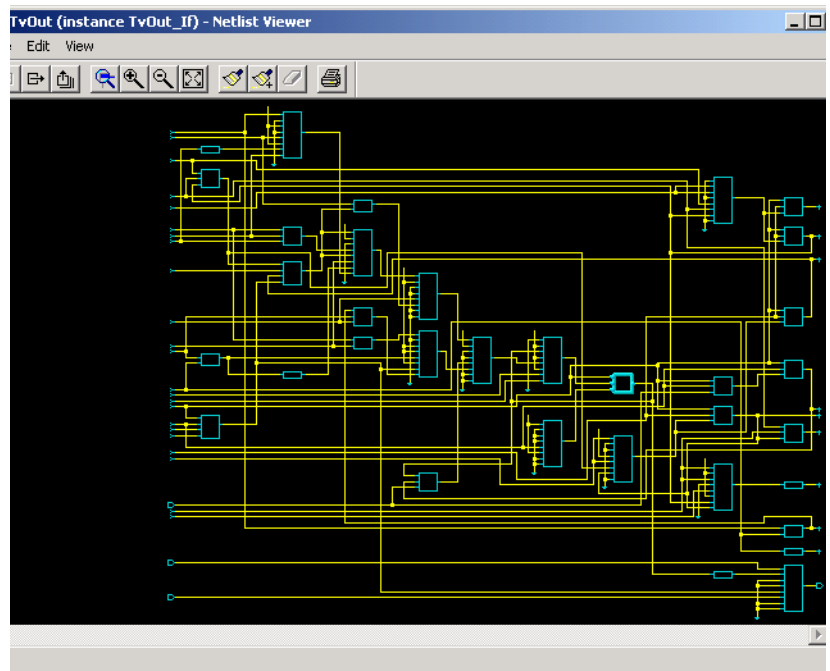


Figure 2-11. Netlist Viewer

- 2. **Start Timer.** Click on *Timer* in Designer's Design Flow window.



Timer starts, as shown in Figure 2-12

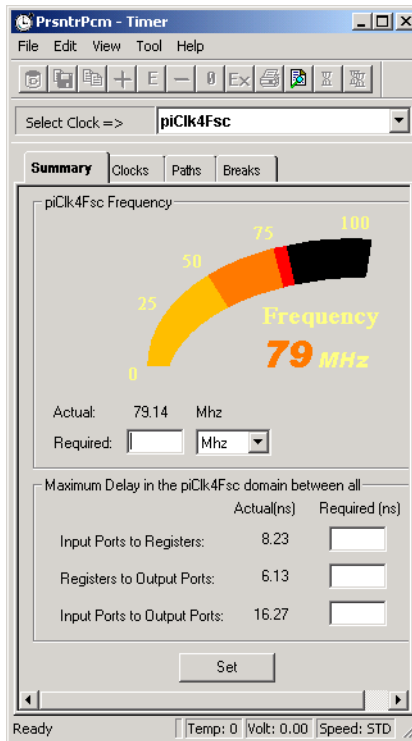


Figure 2-12. Timer Starts

3. Click the **Timer Paths** tab. The Paths tab is displayed, as shown in Figure 2-13.

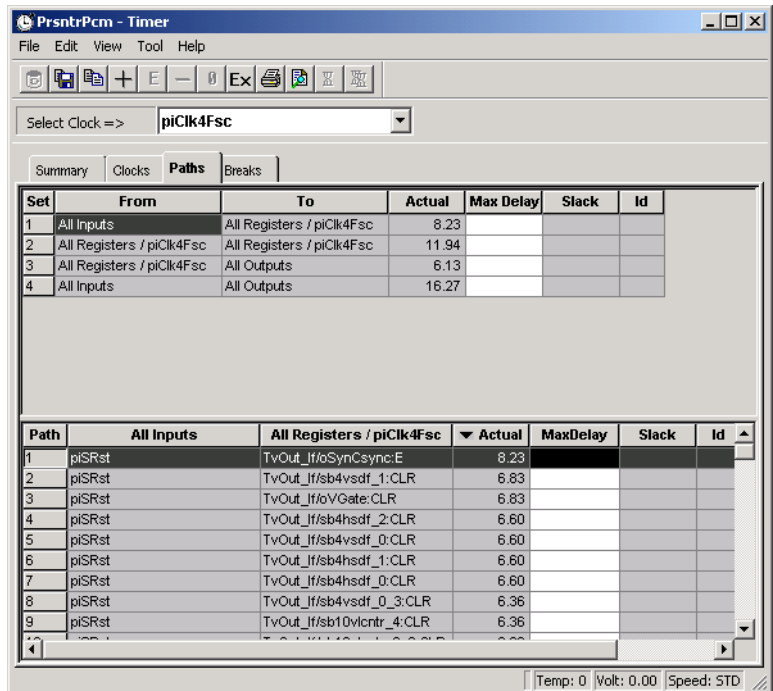


Figure 2-13. Paths Tab

4. Select a **Path set** in the path set grid. Paths within that set are displayed below in the path grid.
5. Select the path you wish to expand in the lower path set grid.

- Expand the path by double-clicking on the path, or in the Edit menu, click *Expand Path*. the Expanded Paths window opens, as shown in Figure 2-14.

Expanded Path Grid

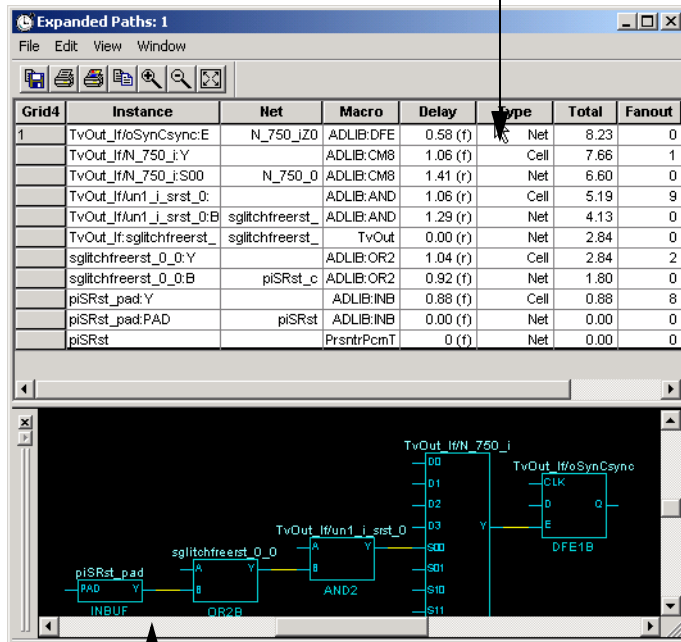


Chart Window

Figure 2-14. Expanded Paths

The Expanded Paths window displays the path in the Expanded Paths Grid and a graphical representation of the path in the Chart Window.

7. **Select an instance in the Expanded Paths grid or in the Chart Window.** The instance is highlighted in the Netlist Viewer, as shown in Figure 2-15.

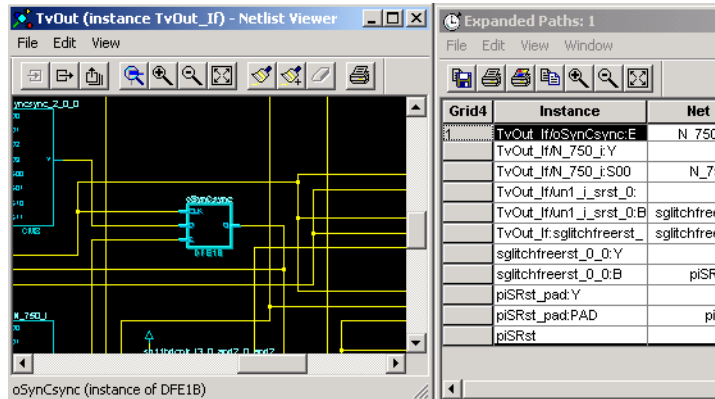


Figure 2-15. Instance in Timer is Highlighted in Netlist Viewer

8. **Select the first register in the timer path and locate it in the Netlist Viewer. Follow the entire path in the Netlist Viewer.** To mark the path for easy identification and reference, see “[Highlighting Groups](#)” on page 26.

Using Netlist Viewer with ChipEdit

If both the Netlist Viewer and ChipEdit are open, items selected in either tool are selected and highlighted in the other. For more details about ChipEdit, please refer to the *ChipEdit User's Guide*.

To use Netlist Viewer with ChipEdit:

1. **Start Netlist Viewer.** Click on *Netlist Viewer* in Designer's Design Flow window.



Netlist Viewer starts, displaying your netlist, as shown in Figure 2-16.

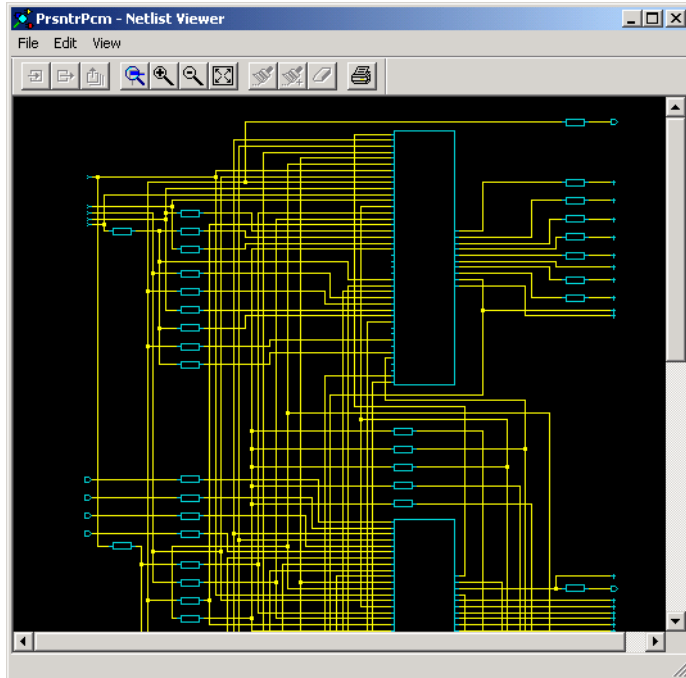
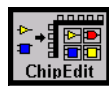


Figure 2-16. Netlist Viewer Starts

2. **Start ChipEdit.** From Designer's Flow Window, click *ChipEdit*.



ChipEdit opens in a separate window displaying the logic and I/O modules on the device, as shown in Figure 2-17.

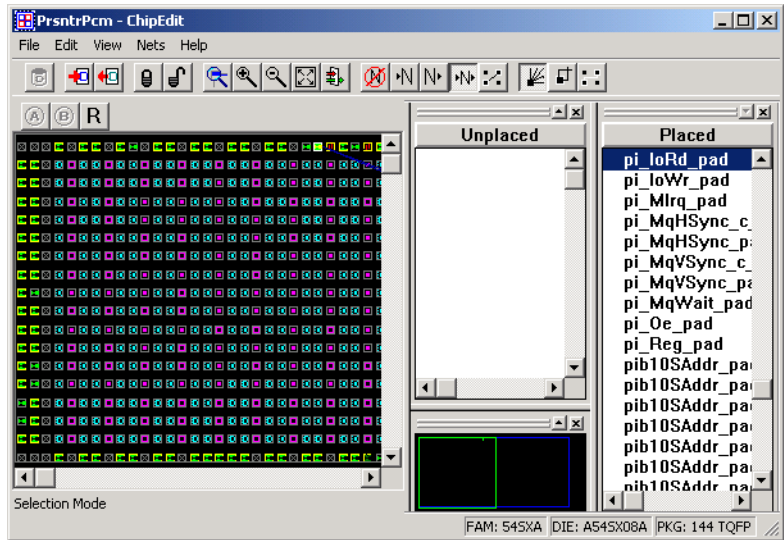


Figure 2-17. ChipEdit Window

3. **Select a macro or instance in the ChipEdit or Netlist Viewer.**
The item is selected in the other tool,

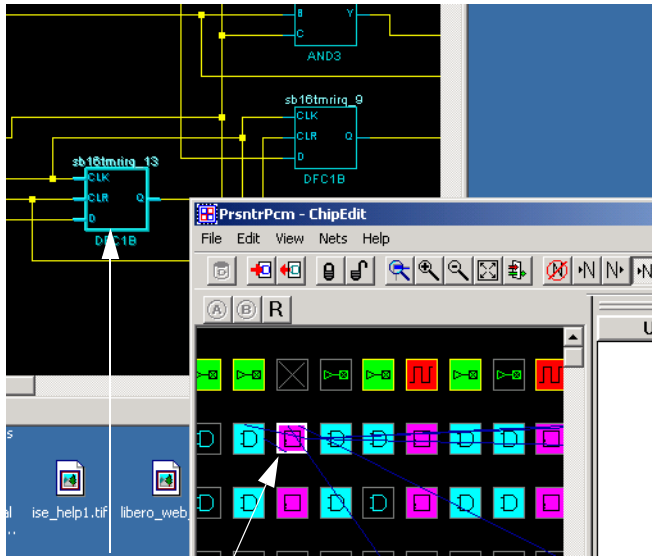


Figure 2-18. Item is Selected in Both ChipEdit and Netlist Viewer

Netlist Viewer Examples

The examples in this chapter illustrate common applications for the Netlist Viewer.

Debugging Simulation Results

The Netlist Viewer is useful for debugging the netlist when simulation results are confusing or unacceptable.

In this example, an unknown (red) signal appears as an output when simulation is performed, as shown in Figure 3-1.

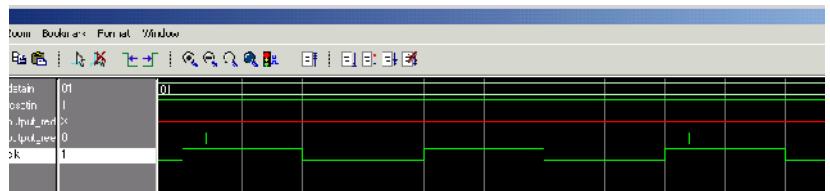


Figure 3-1. Investigating Signal Output

In most cases, this occurs when the output of a flip flop is being feedback into the input without a reset, prset, or clear input. The Netlist Viewer can help you verify that such flip flop configuration exist in the design.

Locating and viewing the flip flops:

1. **Start the Netlist Viewer.** Click *Netlist Viewer* in the Design Flow window. The Netlist Viewer starts and displays your netlist.

2. Zoom to locate the flip flops, as shown in Figure 3-2.

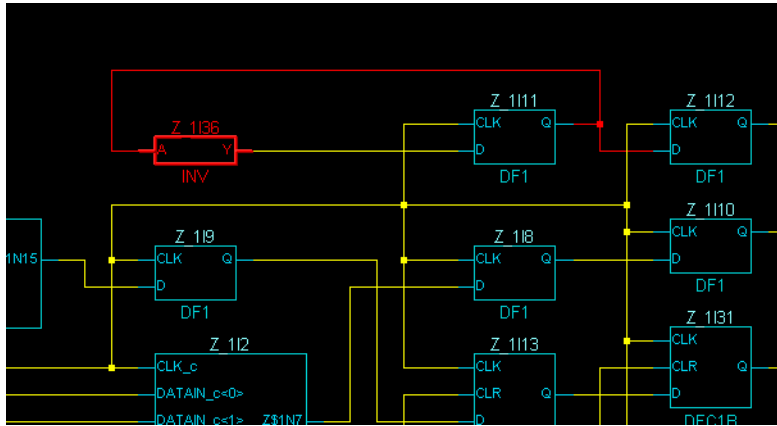


Figure 3-2. Flip Flop Feedback

Identifying Paths

In this example, the Netlist Viewer is used with Timer to identify the inputs of combinational gates. For more detailed information about Timer, refer to the *Timer User's Guide*.

To identify these paths:

1. **From Designer, start Netlist Viewer.** Click *Netlist Viewer* in the Design Flow window. The Netlist Viewer starts and displays your netlist, as shown in Figure 3-3.

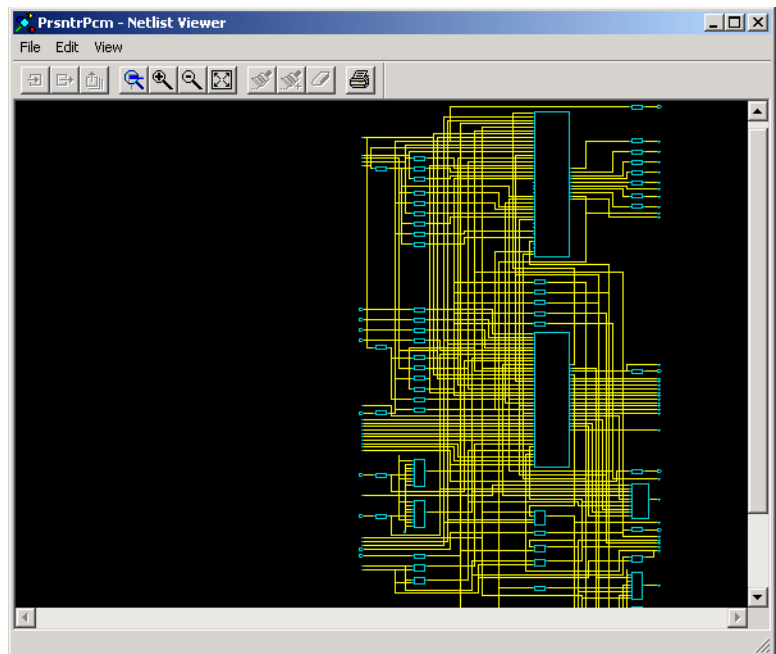


Figure 3-3. Starting Netlist Viewer

- 2. **From Designer, start Timer.** Click *Timer* in the Designer Flow Window. Timer starts, as shown in Figure 3-4

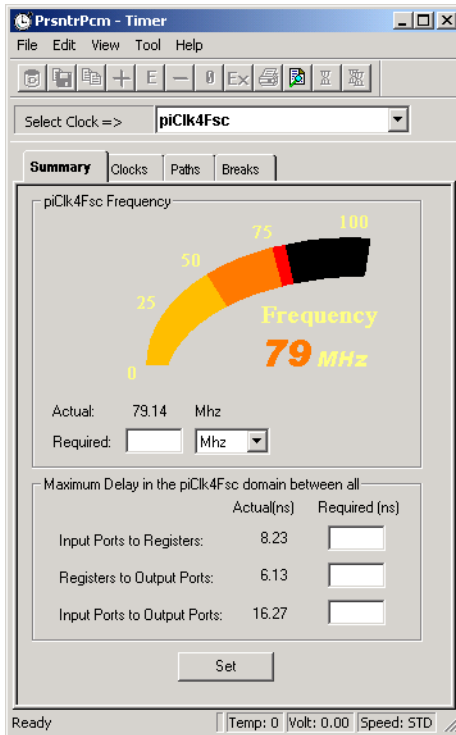


Figure 3-4. Starting Timer

3. In Timer, click the *Paths* tab, as shown in Figure 3-5.

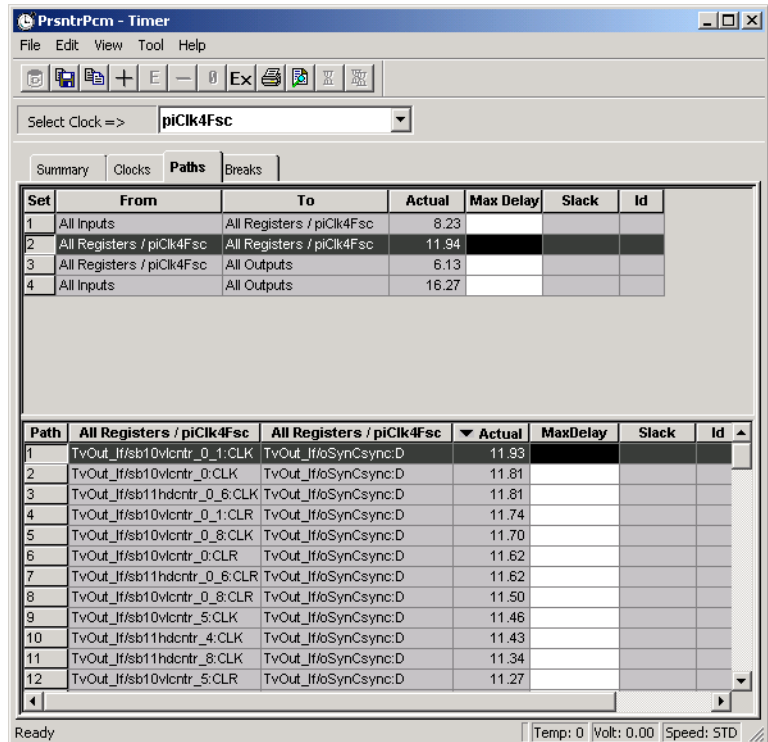


Figure 3-5. Timer's Paths Tab

The paths tab displays timing analysis information for four categories of paths, known as “sets,” in the upper grid. When a set is selected in this upper grid, the paths within that set are displayed in the lower grid.

4. **Select a Path Set in the upper path set grid.** The paths within that set are displayed in the lower grid.

- 5. **Expand a path.** Double-click a path in the lower paths grid. The Expanded Paths window opens, as shown in Figure 3-6.

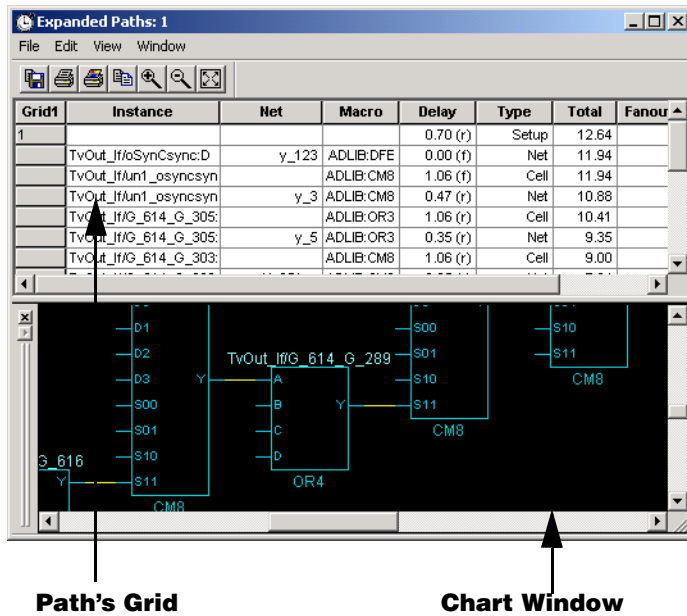


Figure 3-6. Expanding the Path

The Expanded Paths window displays a path in the Expanded Paths Grid and a graphical representation of the path in the Chart Window.

Notice that the inputs of combinational gates are not shown in the Chart Window, as shown in Figure 3-7.

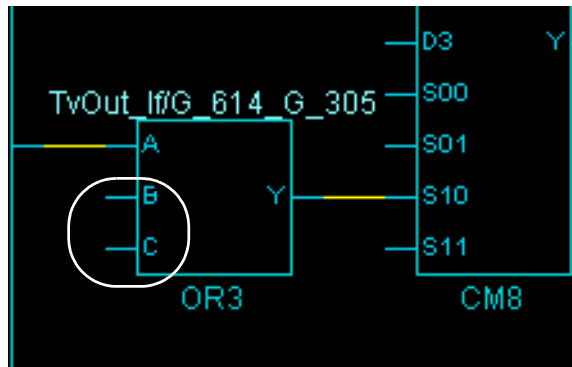


Figure 3-7. Combinational Gates in Timer's Expanded Paths Window

It's useful to know where these paths come from because it might indicate a false path, which never happens during the design and can affect the timing report. It's very useful to know the interaction of other inputs to these macros with the indicated path because it helps in defining the appropriate paths and timing reports.

- Select the Macro in the Chart window.** The macro is located and selected in the Netlist Viewer, as shown in Figure 3-8.

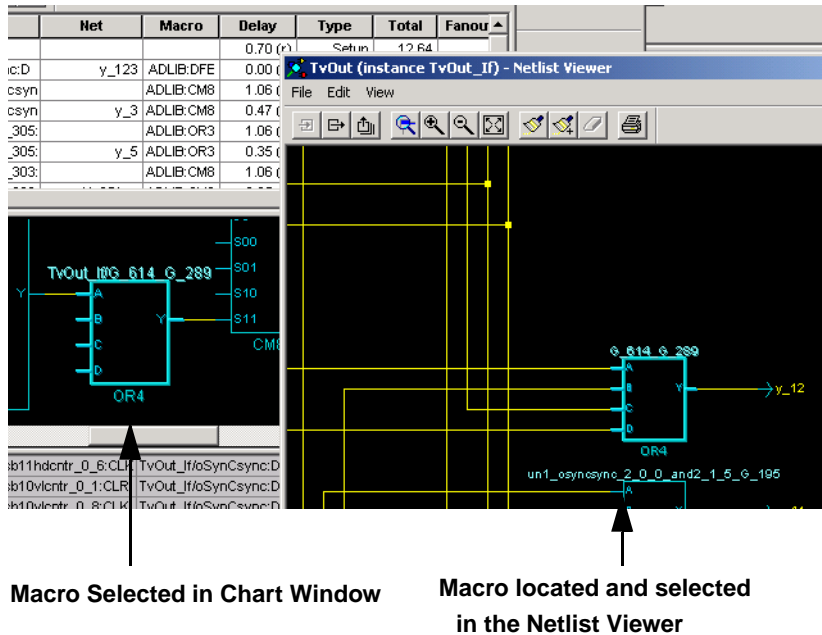


Figure 3-8. Selected Macro is Located and Selected in the Netlist Viewer

- Using the Netlist Viewer, you can now track the other inputs into the path.**

Viewing Buffers

The Netlist Viewer is useful to see buffers inserted by your synthesis tool due to the high fanout number of some signals.

To view inserted buffers:

1. **Start Netlist Viewer.** Click *Netlist Viewer* in the Design Flow window. The Netlist Viewer starts and displays your netlist, as shown in Figure 3-9.

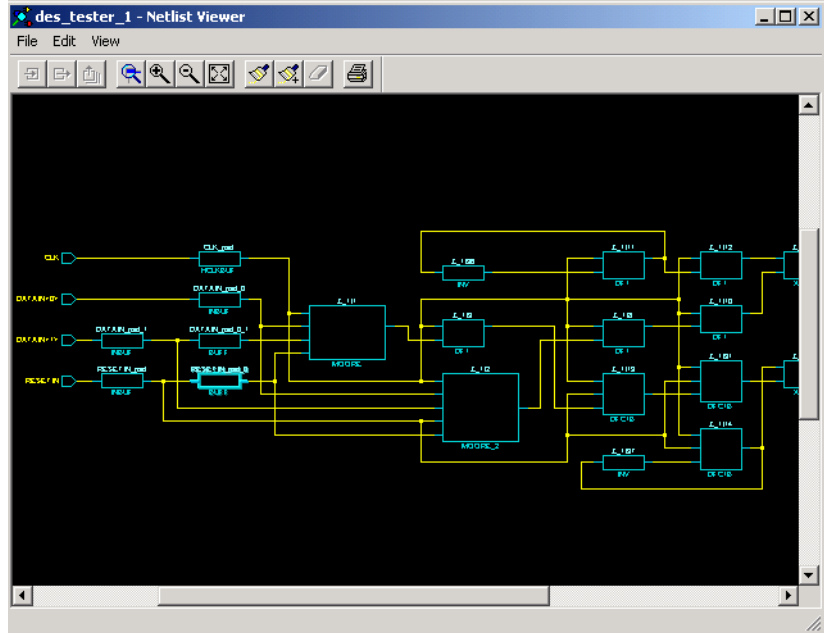


Figure 3-9. Netlist Viewer Starts

In this example, since the fanout of DATAIN and RESET inputs of the design exceeds the specified value in the synthesis tool, Synplicity inserts 2 buffers in

their path to reduce the number of fanout for these signals, as shown in Figure 3-10.

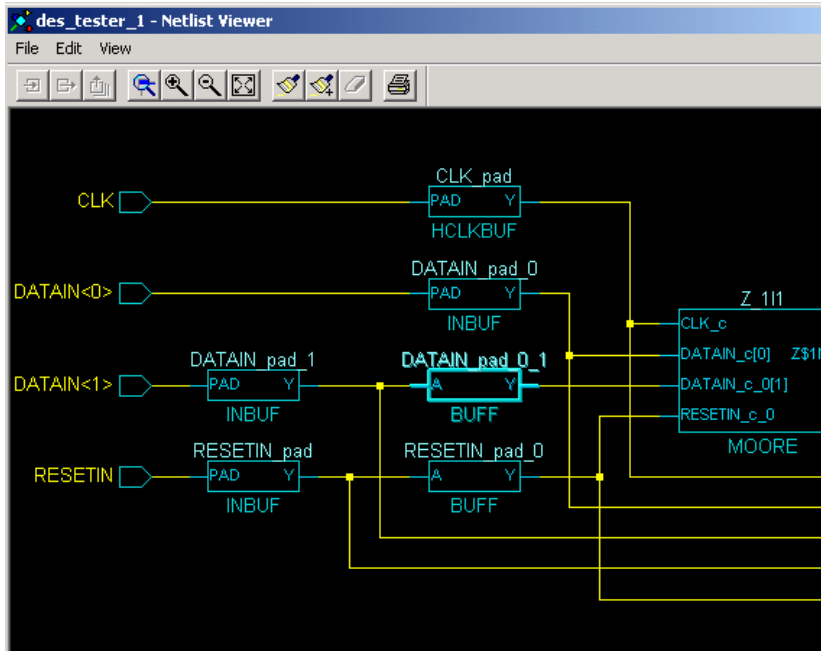


Figure 3-10. Inserted Buffers

2. Using Netlist Viewer, you can track these inserted buffers.
3. (Optional) Examine the timing effect of these buffers using **Timer**. Click *Timer* in Designer's Design Flow Window.

Product Support

Actel backs its products with various support services including Customer Service, a Customer Technical Support Center, a web site, an FTP site, electronic mail, and worldwide sales offices. This appendix contains information about contacting Actel and using these support services.

Actel U.S. Toll-Free Line

Use the Actel toll-free line to contact Actel for sales information, technical support, requests for literature, Customer Service, investor information, and using the Action Facts service.

The Actel toll-free line is (888) 99-ACTEL.

Customer Service

Contact Customer Service for non-technical product support, such as product pricing, product upgrades, update information, order status, and authorization.

From Northeast and North Central U.S.A., call (408) 522-4480.

From Southeast and Southwest U.S.A., call (408) 522-4480.

From South Central U.S.A., call (408) 522-4434.

From Northwest U.S.A., call (408) 522-4434.

From Canada, call (408) 522-4480.

From Europe, call (408) 522-4252 or +44 (0) 1276 401500.

From Japan, call (408) 522-4743.

From the rest of the world, call (408) 522-4743.

Fax, from anywhere in the world (408) 522-8044.

Actel Customer Technical Support Center

Actel staffs its Customer Technical Support Center with highly skilled engineers who can help answer your hardware, software, and design questions. The Customer Technical Support Center spends a great deal of time creating application notes and answers to FAQs. So, before you contact us, please visit our online resources. It is very likely we have already answered your questions.

Guru Automated Technical Support

Guru is a web-based automated technical support system accessible through the Actel home page (<http://www.actel.com/guru/>). Guru provides answers to technical questions about Actel products. Many answers include diagrams, illustrations, and links to other resources on the Actel web site.

Web Site

Actel has a World Wide Web home page where you can browse a variety of technical and non-technical information. The URL is <http://www.actel.com>.

Contacting the Customer Technical Support Center

Highly skilled engineers staff the Technical Support Center from 7:00 A.M. to 6:00 P.M., Pacific Time, Monday through Friday. Several ways of contacting the Center follow:

Electronic Mail

You can communicate your technical questions to our e-mail address and receive answers back by e-mail, fax, or phone. Also, if you have design problems, you can e-mail your design files to receive assistance. We constantly monitor the e-mail account throughout the day. When sending your request to us, please be sure to include your full name, company name, and your contact information for efficient processing of your request.

The technical support e-mail address is **tech@actel.com**.

Telephone

Our Technical Support Center answers all calls. The center retrieves information, such as your name, company name, phone number and your question, and then issues a case number. The Center then forwards the information to a queue where the first available application engineer receives the data and returns your call. The phone hours are from 7:00 A.M. to 6:00 P.M., Pacific Time, Monday through Friday. The Technical Support numbers are:

(408) 522-4460

(800) 262-1060

Customers needing assistance outside the US time zones can either contact technical support via email (tech@actel.com) or contact a local sales office. Please see our list of [Worldwide Sales Offices](#).

Worldwide Sales Offices

Headquarters

Actel Corporation
955 East Arques Avenue
Sunnyvale, California 94086
Toll Free: 888.99.ACTEL
Tel: 408.739.1010
Fax: 408.739.1540

US Sales Offices

California

Bay Area
Tel: 408.328.2200
Fax: 408.328.2358

Irvine
Tel: 949.727.0470
Fax: 949.727.0476

Newbury Park
Tel: 805.375.5769
Fax: 805.375.5749

Colorado

Tel: 303.420.4335
Fax: 303.420.4336

Florida

Tel: 407.977.6846
Fax: 407.977.6847

Georgia

Tel: 770.277.4980
Fax: 770.277.5896

Illinois

Tel: 847.259.1501
Fax: 847.259.1575

Massachusetts

Tel: 978.244.3800
Fax: 978.244.3820

Minnesota

Tel: 651.917.9116
Fax: 651.917.9114

New Jersey

Tel: 609.517.0304

North Carolina

Tel: 919.654.4529
Fax: 919.674.0055

Pennsylvania

Tel: 215.830.1458
Fax: 215.706.0680

Texas

Tel: 972.235.8944
Fax: 972.235.9659

International Sales Offices

Canada

235 Stafford Rd. West, Suite 106
Nepean, Ontario K2H9C1, Canada
Tel: 613.726.7575
Fax: 613.726.8666

France

361 Avenue General de Gaulle
92147 Clamart Cedex
Tel: +33 (0)1.40.83.11.00
Fax: +33 (0)1.40.94.11.04

Germany

Lohweg 27,
D-85375 Neufahrn
Germany
Tel: +49.(0)81.659.584.0
Fax: +49.(0)81.659.584.10

Italy

Via dei Garbaldini 5
20019 Settimo Milanese
Milano, Italy
Tel: +39 (0)2.3809.3259
Fax: +39 (0)2.3809.3260

Japan

EXOS Ebisu Building 4F
1-24-14 Ebisu Shibuya-ku
Tokyo 150
Tel: +81 (0)3.3445.7671
Fax: +81 (0)3.3445.7668

Korea

30th floor, ASEM Tower,
159-1 Samsung-dong,
Kangnam-ku, Seoul, Korea
Tel: +82 (0)2.6001.3382
Fax: +82 (0)2.6001.3030

United Kingdom

Maxfli Court
Riverside Way
Camberley, Surrey
GU15 3YL
United Kingdom
Tel: +44 (0)1276.401450
Fax: +44 (0)1276.401490

Index

A

Actel

- FTP site 48
- web based technical support 48
- web site 48

Actel Manuals viii

C

Contacting Actel

- customer service 47
- electronic mail 49
- technical support 48
- toll-free 47
- web based technical support 48

Customer service 47

D

Design Hierarchy View

- description 13
- opening 23

Document Organization vii

E

Electronic mail 49

H

Help

- Actel manuals viii
- online help x

Highlighting

- an object 24
- groups 25
- unhighlighting 26

M

Menu commands

- edit menu 17
- file menu 17
- view menu 17

N

Navigating

- going deeper in a design 20
- going one level up in a design 21
- horizontally through design pages 16
- next page, symbol for 22
- rising to the top level 21
- through pages in a design 16, 21
- vertically through a design 15

P

Product Support ??–vii

Product support 47–50

- customer applications center 48
- customer service 47
- electronic mail 49
- FTP site 48
- technical support 48
- toll-free line 47
- web site 48

S

Schematic View

- description 13

Search View

- description 14

Searching

- instance 27
- net 27
- port 27

wildcards 28
Starting Netlist Viewer 11

T

technical support 48
Toll-free line 47
Toolbar 16

U

Using Netlist Viewer
 to trace timing paths 29
Using Netlist Viewer with other tools
 ChipEdit 33
 Timer 28

W

Web based technical support 48